

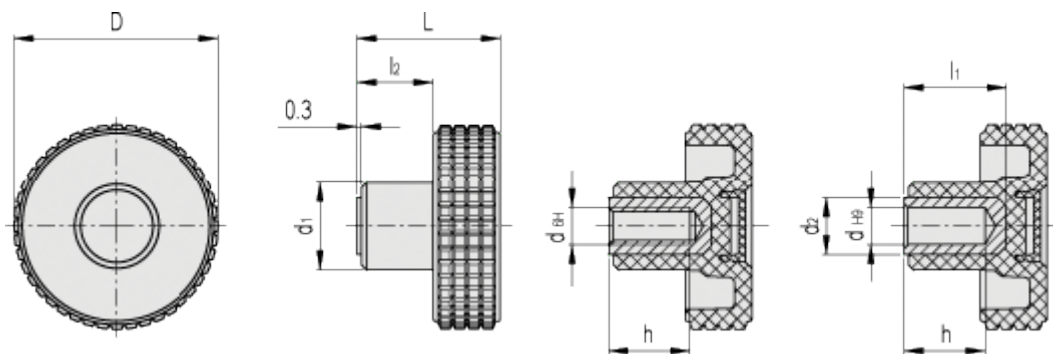
# Data Sheet



Article number: 23020345063

Description: E+G Fingergreb MBT.60-B-10-C3, grey centre cap

## Measures



D	= 61	l2	= 18.5
d1	= 23		
d2	= 16		
dH6	= -		
dH9	= 10		
h	= 25		
L	= 39		
l1	= 30		